

H O S T L E R ' S

MODEL RAILROAD CLUB

February 15, 2005

STANDARDS & RECOMMENDED PRACTICES FOR HO MODULES

1.) PURPOSE

To provide club members interested in building an HO model railroad module(s) with benchwork, track, and wiring standards and recommended practices necessary to insure operating compatibility with other HO modules in a layout configuration. Uniformity of certain module characteristics are necessary to assure fit and function when joined with other modules. Standardization of other characteristics assures operating quality and pleasurable viewing for the public.

2.) WHAT IS A MODULE?

A module is a portable section of table type structure which is but one part of a large group of like tables which when assembled together form a fully operating model railroad. Modules are built by individuals as part of a home layout or specifically for use with others in a layout. Modules are built to a set of standards that allow each unit to interface exactly with other units in the overall layout. A module may be a single table or a group of tables which must be capable of interface at each end, but may deviate between these ends so long as operation is not compromised or restricted.

It is recognized that from time to time a module builder may wish to deviate from the recommended practices to achieve a particular effect. Such deviations must not compromise the purposes of the standards or result in sub-standard operation, construction, or appearance. The module builder is responsible for assuring compliance with all interface standards prior to use of the module or group of modules in a layout.

3.) DEFINITIONS

- A.) STANDARD (S)** - A standard is a figure that is mandatory, "cut in stone" so to speak and must be followed to facilitate interchange or interface with other modules, smooth operation, and provide an overall esthetic appearance. The standards provided herein were approved by the National Model Railroad Association (NMRA) membership in March 1990.
- B.) RECOMMENDED PRACTICE** - Recommended practices are those figures that are beneficial to operation and overall appearance. However, while recommended, the module builder is not required to adhere to them.
- C.) RUN-THROUGH MODULE, TYPE A** - Includes trackage for Eastbound and Westbound mainlines, plus local blue line; provides scenic mileage only;

requires basic electrical wiring as specified, but does not provide for on-module mainline or branch line control. It does not include mainline passing sidings or industrial spurs and does not require its own power supply.

- D.) **LOCAL CONTROL MODULE, TYPE B** - In addition to the mainlines, and branchline; passing siding; industrial spur; or main-to-main crossover (s) may be included. Requires the basic wiring plus its own power source to operate accessories and turnout machines. Does not provide for control of mainline traffic.
- E.) **BLOCK CONTROL MODULE, TYPE C** - In addition to the mainline tracks and branchline, a block control module may contain an optional branchline or operating siding with industrial tracks to provide local operating interest; may include a main-to-main crossover, either hand; its own power supply for turnouts and accessories; and a power control access system to either of the main or branch lines.
- F.) **TRANSITION MODULES** - A transition module is a unit so constructed that it will interface at one end with an existing non-standard unit (such as an inside corner module) and interface with a NMRA standard module at the other end.
- G.) **CONVENTIONS** - Clockwise direction is Westbound; counterclockwise direction is Eastbound; North is the operating side of the module; and South is the viewing side of the module. West is the left end of the module, and East is the right end of the module from the viewing side.
- H.) **INTERFACE** - The East and West exterior surfaces (ends) of the module which join with adjacent modules.
- I.) **DIORAMA DIVIDERS** - The end pieces of the module framework/skyboard used for separating one diorama scene from another and representing distance between scenes. Provides additional module and skyboard rigidity, and protects scenery while transporting the module. Diorama dividers, on each end, are required for each module or group of modules, yard modules excepted.
- J.) **CONNECTING TRACKS** - A nine (9) inch length of track for joining main and branchline track sections together across the module-to-module interface.

4.) **STANDARDS & RECOMMENDED PRACTICES - HO MODULES**

- A.) **MODULE SIZE (S)** - The builder has the option of building straight modules in standard 4', 6' and 8' lengths. Special two (2) foot long bridge modules are sometimes required in certain layout configurations. Inside and outside corner modules are four (4) foot, six (6) foot, or eight (8) foot squares with the interior & exterior corners removed. Standard and optional dimensions are given on data sheets 2 through 11.

- B.) **MODULE HEIGHT (S)** - Module height should be a nominal 40 inches from the floor to the railhead. Legs should be adjustable to provide a minimum of +/- one and ½ (1 1/2) inch height adjustment.
- C.) **MODULE FRAMING** - Only quality material, such as 1"x4" pine, or cabinet quality plywood should be used for strength and appearance. Avoid any dips across the module, such that the track is perfectly flat. Use standard framework as shown in data sheet 3, L girder as shown in data sheet 5, or unit construction as shown in data sheet 11.
- D.) **CONSTRUCTION** - Trackwork shall be securely attached to the roadbed for positive alignment. Ballasting is recommended. All trackwork must be accessible for maintenance purposes.
- E.) **INTERFACES** - The ends, interface points, of modules need to be flat, smooth, and square with the sides to assure close joining with adjacent modules and overall square assembly of the layout.
- F.) **ASSEMBLY** - Two clamping spots are required at each end of the module, located as per data sheets 4 & 6. The module owner must provide two three (3) inch C-clamps per module.
- G.) **SUBROADBED** - Rigid support is required for mainline trackage! Use 1/2 to 5/8 inch plywood for best results on standard or L girder framework. Use ¼ inch plywood and foam on unit construction. The maximum distance between subroadbed supports, risers, should not exceed 18 inches. See data sheets for optional methods.
- H.) **ROADBED** - Roadbed providing ballast slopes is to be used for mainlines and branchlines except in yard or terminal areas. Cork, milled roadbed, or contoured homosote are recommended roadbed materials.
- I.) **TRACK LOCATION** - Two (2) mainline tracks plus one (1) branch line track shall be provided to form three continuous unbroken loops on a layout. Optional passing sidings may be located on either side of the mainlines. Track locations are shown on data sheets 4 & 6.
- J.) **RAIL SIZE (S)** - Hand laid or commercial code 100 nickel silver. Code 83 nickel silver track may be used, but if code 83 is used, module owner must provide means to transition from code 83 to code 100 for each end of the module or series of modules.
- K.) **GRADES (S)** - Mainlines and passing sidings - 0%. Branchlines - 3%.
- L.) **TRACK CLEARANCES (S)** - Horizontal = 1-1/32", measured from track centerline to any obstruction. Vertical = 3 1/4", from top of track to overhead obstructions.
- M.) **TRACK CENTER LINES - MODULE INTERFACES (S)** - Mainlines = 5" & 7",

branchline = 9" from the viewing side of the module.

- N.) **TRACK SETBACK FROM END OF MODULE (S)** - 4-1/2". This allows the use of 9" sectional track to join modules. Two metallic and two insulated rail joiners must be provided for each mainline, and branchline, on each module by the owner.
- O.) **TRACK CENTER LINES (S)** - On curves = 2-1/2". For parallel tracks = 2".
- P.) **MINIMUM PARALLEL TANGENT TRACK LENGTH (S)** - 3". This is the distance from the end of the bridge track at the interface to the first deviation in the mainline, i.e., a switch, curve, crossover, etc.
- Q.) **MINIMUM MAINLINE TURNOUT (S)** - #6.
- R.) **MINIMUM BRANCHLINE TURNOUT (S)** - #5.
- S.) **MINIMUM RADIUS (S)** - Industrial tracks = 24". Mainline = 32". On corner modules the recommended mainline radius at the top of the arc are: inner main - 33", outer main - 35-1/2".
- T.) **BALLAST** - Mainlines - grey.
 Passing sidings - grey.
 Branchline & Other tracks - black cinder or owners choice.
- U.) **INSULATED RAILS (S)** - The rails of each module shall be insulated from adjacent modules by using insulated rail joiners at one end of the connecting track. Both rails of a crossover shall be insulated by either insulated rail joiners or rail cuts filled with epoxy. Any branchline or spur connected to a mainline track shall be insulated at both rails. Turnouts with all-rail frogs shall have both frog rails insulated. Frog power shall be wired thru switch machine contacts.
- V.) **INSPECTION** All new modules are subject to inspection by the module coordinator or designated inspector, prior to be placed into a layout for the first time.

5.) **ELECTRICAL - MODULE WIRING STANDARDS**

The electrical system is configured to be the minimum required for versatile operation. Continuous loop running of one train per mainline for small layouts is accommodated as is multi-train block control for large layouts. By disconnecting the two pin Cinch-Jones connectors at module interfaces, at pre-selected points around the layout, each mainline can be divided into two or more control blocks. Two Type C, Block Control Modules in each block then serve as the cab control for each mainline in the block.

Wiring diagrams are illustrated on data sheets 11 through 15.

A.) COMPONENTS -

- 1.) East Interface Connector (S) - TRW Cinch # P-302-CCT, or Radio Shack # 274-201.
- 2.) West Interface Connector (S) - TRW Cinch # S-302-AB Chassis Mount, TRW Cinch # S-302-CCT, or Radio Shack # 274-202.
- 3.) Cab Input Connector (S) (Optional)- J2, Cinch Type S-304-AB Chassis Mount. One per main/branch line, or;
- 4.) Terminal Blocks - Screw type 4 & 8 position barrier strips.
- 6.) Wire (S) - 16 gauge stranded zip cord (lamp cord) for routing track power from module to module. 20 gauge wire may be used to run power from the terminal blocks to the track.
- 7.) Throttle Connectors (S) - 4 pin Cinch Type # P-304-CCT. Pins 1 & 2 for track power. Pins 3 & 4 for powering accessories.

B.) ASSEMBLY - These conventions conform to NMRA standards where applicable. (MRP1.3).

- 1.) Pin #1 (wide pin) goes to the rail closest to the front of the module. Pin #1 is connected to the flat or ribbed side of the zip cord.
- 2.) A terminal block under the module is required for track feeder connections.
- 3.) The following color code shall be used:
 RED - outside (Eastbound) mainline.
 YELLOW - inside (Westbound) mainline.
 BLUE - branchline.
- 4.) Looking from the front of the module, male connectors are on the right, extended 20", and female connectors are on the left mounted flush. Wiring shall be located in the center 12" of the module.
- 5.) Insulated rail joiners are to be used on both rails at one end of the bridge tracks used to join modules. (An exception may be made when two modules belonging to one owner are always together.)
- 6.) Connections for power feeders from power packs shall be through specified connectors mounted on the rear of the module. A female chassis mounted connector shall be mounted to the module with pin #1 connected to the rail closest to the module front & pin #2 to the inner rail of the track. Each track shall use a separate color

coded connector, or a single connector with the optional 5 position, single-pole, double pod, non-shorting rotary switch specified.

7.) Zip cord required: 4' module = 6' per track.
 6' module = 8' per track.
 8' module = 10' per track.
 corner modules = 8' per track.

8.) Feederlines: Wire should be labeled or color coded to ensure that all circuits are readily identifiable.

VI.) CONSTRUCTION & SET-UP TIPS

The following tips are offered to club members interested in building a module based on the collective experience of club members who have built either N or HO scale modules. They are included to answer question you may have and to make the building and set-up of your module easier and more enjoyable.

- * Make sure your module is square! Corner modules are particularly difficult to build. Take your time, double check your measurements, and make sure your cuts & placement of parts are accurate to ensure your module comes out square.
- * Use a combination square or something similar to correctly mark where your tracks are to end at the interface. Make sure your tracks end as close to the standard as possible so that a 9" piece of sectional track can be used to join modules each time. An error as little as 1/16" means that every time your module is placed in a new position in a layout, a new piece of track has to be cut to fit.
- * Watch the weight of your module carefully. Remember, you have to move it around! Make it as light as possible, but sturdy enough to withstand the moving & transportation it will endure. Styrofoam is a good lightweight support material for mountains.
- * Although a variety of screw sizes are called for in the framework data sheets, several members have found that 1-5/8" drywall screws work well and are an inexpensive alternative.
- * Eight foot modules offer maximum scenic flexibility, but are heavier and more difficult to move & transport. If you build an 8' module you may wish to mount caster wheels on one end so that it can be rolled into a truck.
- * While particle board is cheaper than plywood, it is also heavier and does not hold screws as well. Therefore particle board and chip board **WILL NOT BE USED IN MODULES.**
- * Cut your clamp holes exactly as shown. Remember you have to insert your C-clamps through these to hold your module to the adjoining one!

Consequently, it's important that these holes line up from module to module.

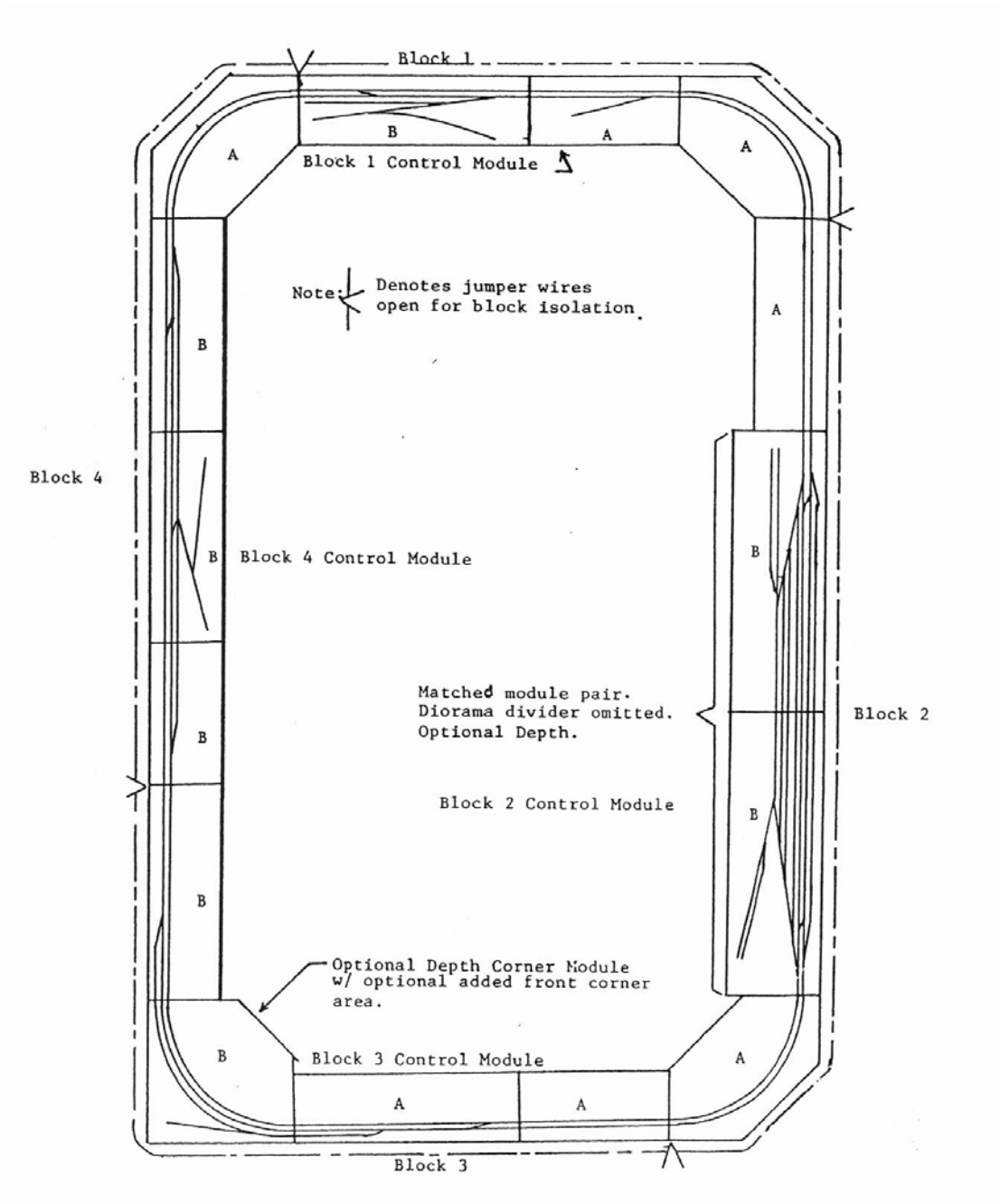
- * T-Nuts are an excellent alternative to the nuts used to fasten legs to the module. They fasten to the leg piece which simplifies set-up and tear down since you don't have to keep track of extra nuts & washers. You can also use them in the base of the leg for height adjustment instead of the arrangement called for. Some module owners are now going to a leg arrangement utilizing $\frac{3}{4}$ inch electrical conduit (EMT) or $\frac{1}{2}$ inch threaded pipe legs. This really speeds up set-up, but remember to allow for +/- 1 1/2" height adjustment in each leg!
- * When setting up the modules in a layout, remember to use insulated rail joiners on one end of each piece of connecting track. This is essential if the layout is to be broken up in two or more electrically isolated control blocks for operational purposes. More importantly, if there is an electrical problem, it greatly enhances our ability to trace the problem to a specific module through a process of isolation. With metal rail joiners, it can become a nightmare!
- * Don't be tempted to build your benchwork out of sub-standard scraps. You'll find that it won't be sturdy enough for good track work and your scenery will not stand up as well due to the increased flexing it's subjected to. We have also found that there are normally problems interfacing with other modules when sub-standard materials are used, prolonging set-up time and detracting from reliable operation at public shows.
- * Good trackwork is the key to reliable operation. Take time to insure your track centerlines at the interface points are correct, parallel tracks are spaced correctly, you use smooth transitions in the corners, and that straight sections of track are straight.
- * Solder sections of flex track together before you lay them on curves. This gives you a smooth, trouble free joint in the curve. All rail joints should be soldered to enhance the flow of electricity through the rails.

Remember, if you have a problem, question, or don't understand the reason for a particular standard or recommended practice, help or an answer is usually only a phone call away.

ISSUE DATE:
OCTOBER 1990

EXAMPLE OF A MODULAR LAYOUT

DATA SHEET
1



ISSUE DATE: OCTOBER 1990	TYPICAL MODULE CONSTRUCTION	DATA SHEET # 2
-----------------------------	-----------------------------	-------------------

$\frac{1}{4}$ " plywood skyboard & $\frac{3}{4}$ " plywood diorama divider.

Any sky artwork to blend into the basic skyboard color.

Finish all exposed plywood edges.

Cut flush w/top of roadbed for continuous scene.

Bolt & wing nuts

$\frac{1}{2}$ " plywood gusset plate

1x4 framing, side rails & cross members.

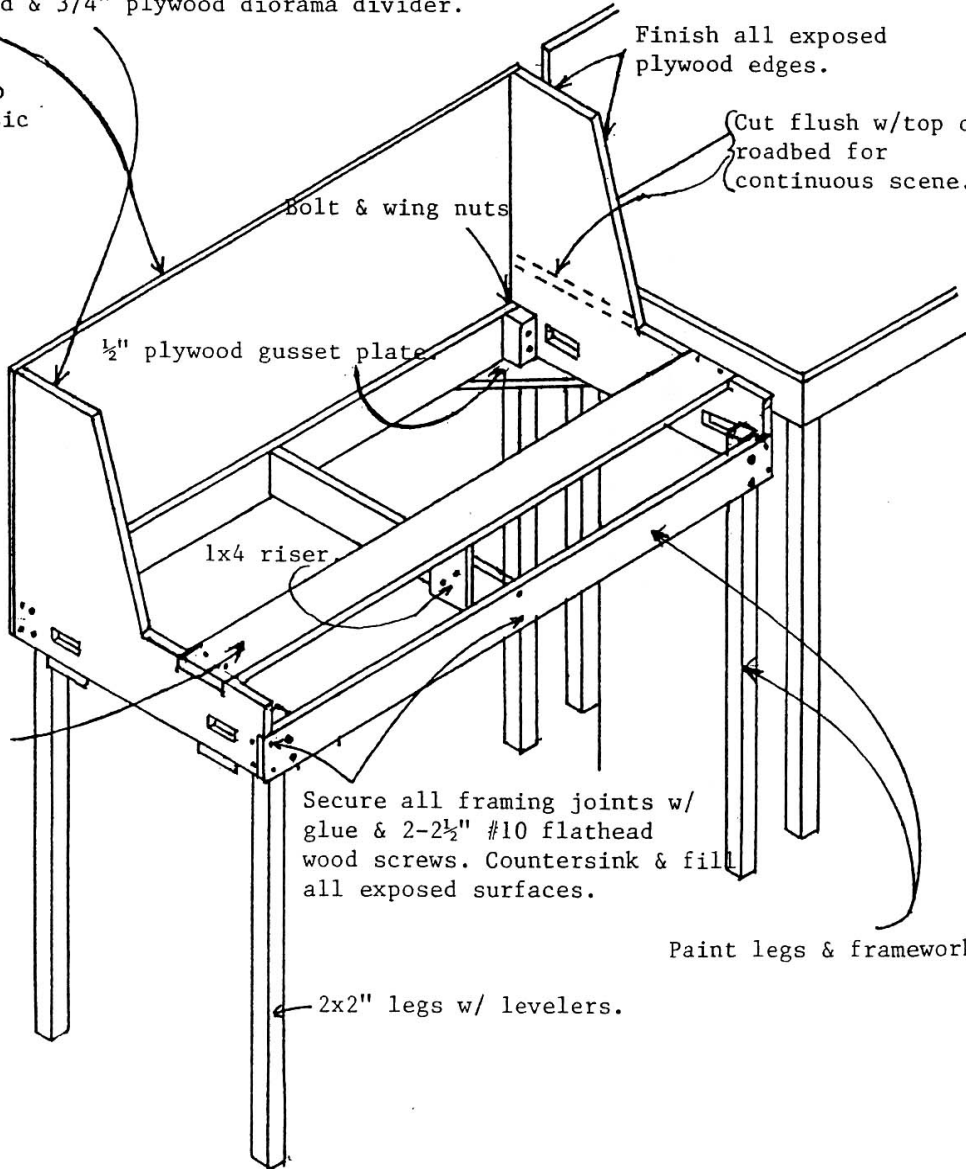
1x4 riser

$\frac{1}{2}$ " to $\frac{5}{8}$ " sub-roadbed.

Secure all framing joints w/ glue & 2- $2\frac{1}{2}$ " #10 flathead wood screws. Countersink & fill all exposed surfaces.

Paint legs & framework.

2x2" legs w/ levelers.



<p>ISSUE DATE: OCTOBER 1990</p>	<p>FRAMEWORK - STRAIGHT MODULE</p>	<p>DATA SHEET # 3</p>
-------------------------------------	---	---------------------------

East Interface 3/4"
Plywood or 5/8"
Particle Board.

Skyboard
1/4" Plywood.

24"

1x4" Framing
Lumber.

48"/72"/96"

Viewing Side

16" Centers
Qty. as needed.

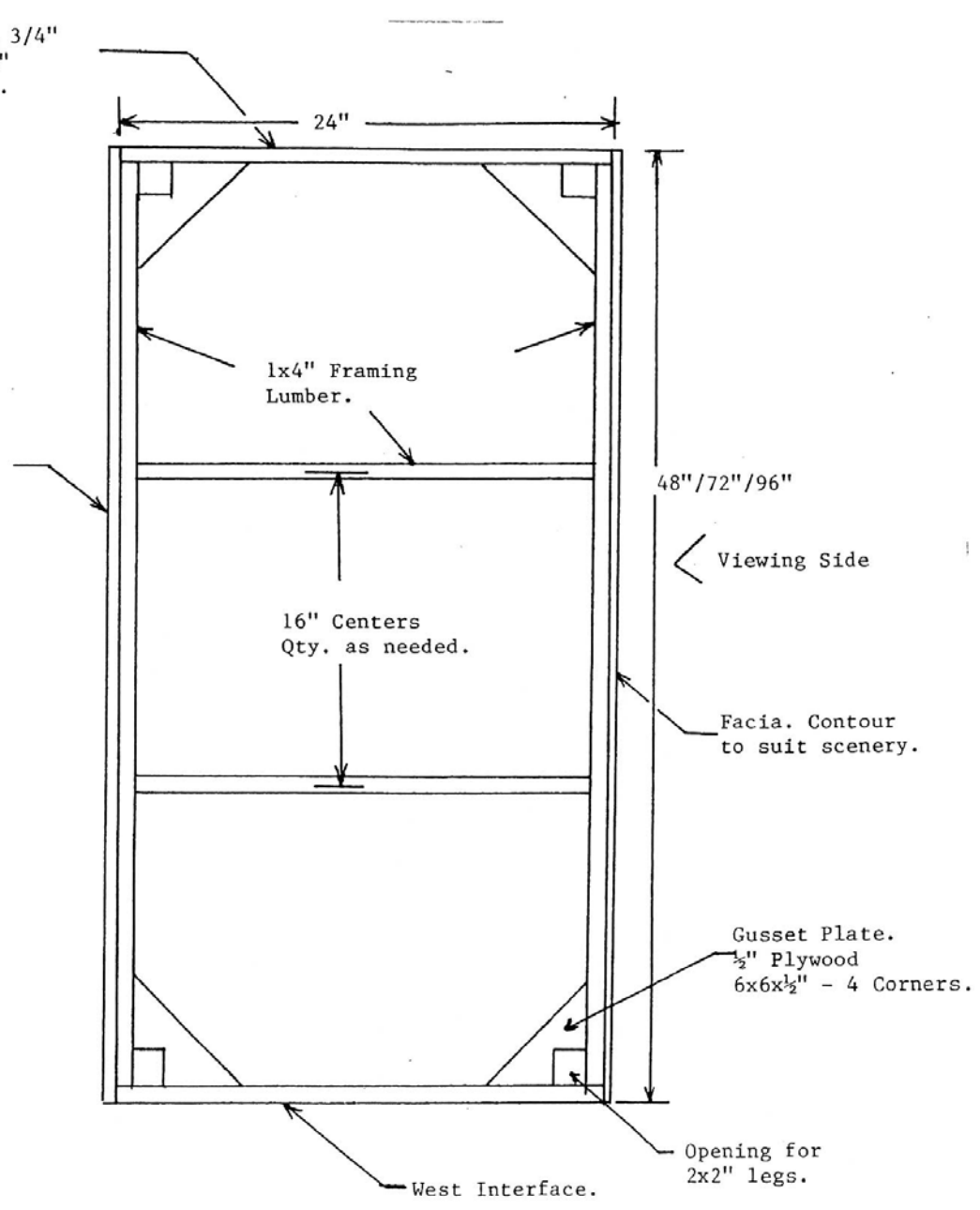
Facia. Contour
to suit scenery.

Gusset Plate.
1/2" Plywood
6x6x1/2" - 4 Corners.

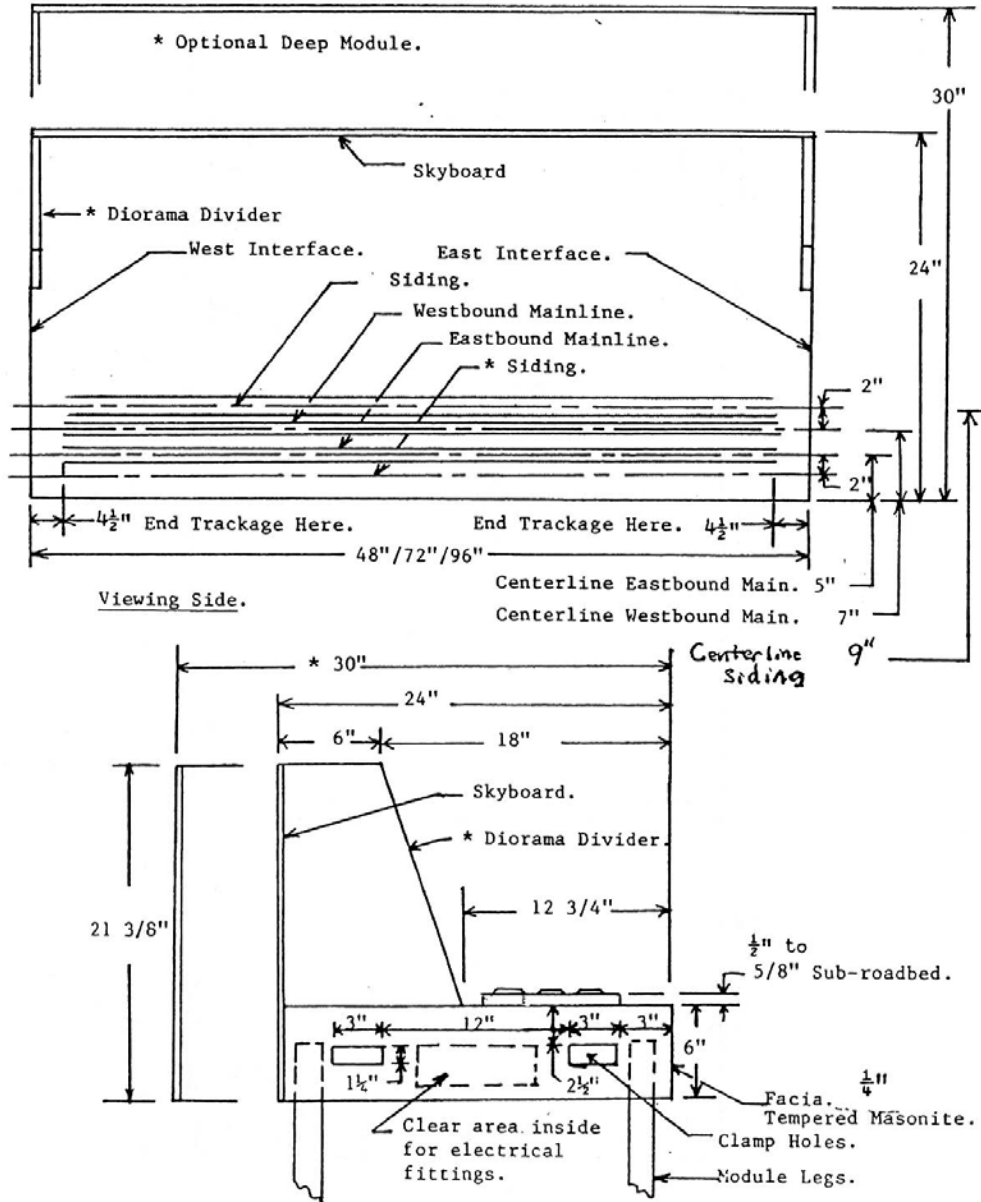
Opening for
2x2" legs.

West Interface.

GLUE AND SCREW ALL JOINTS



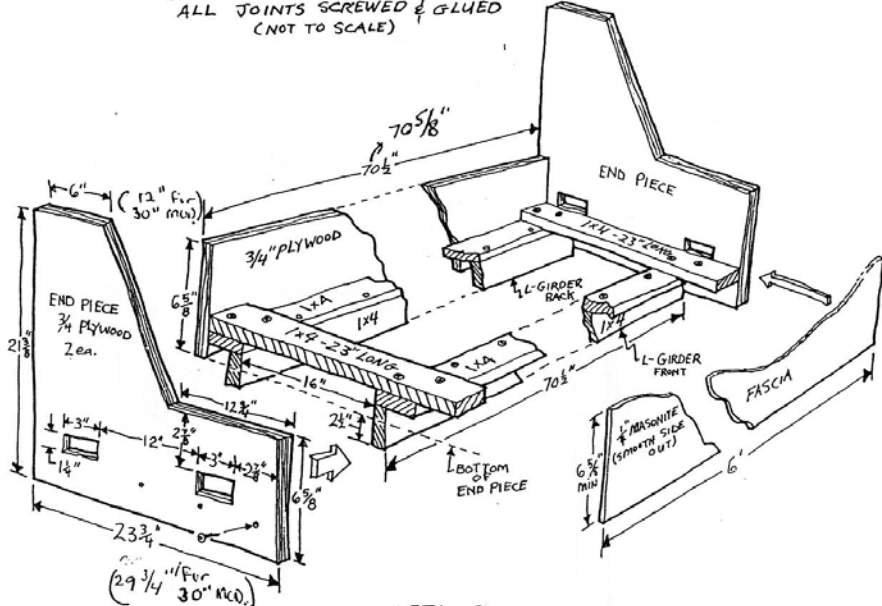
<p>ISSUE DATE: OCTOBER 1990</p>	<p>DIMENSIONS - STRAIGHT MODULE</p>	<p>DATA SHEET # 4</p>
-------------------------------------	-------------------------------------	---------------------------



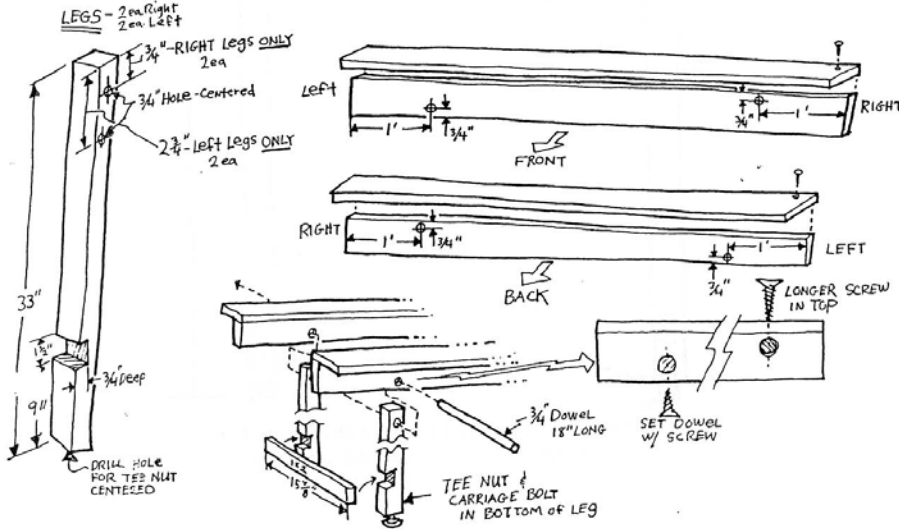
* OPTIONAL CHARACTERISTICS

<p>ISSUE DATE: APRIL 1996</p>	<p>DIMENSIONS - ALTERNATIVE STRAIGHT MODULE</p>	<p>DATA SHEET # 5</p>
-----------------------------------	---	---------------------------

6' L-GIRDER MODULE
ALL JOINTS SCREWED & GLUED
(NOT TO SCALE)



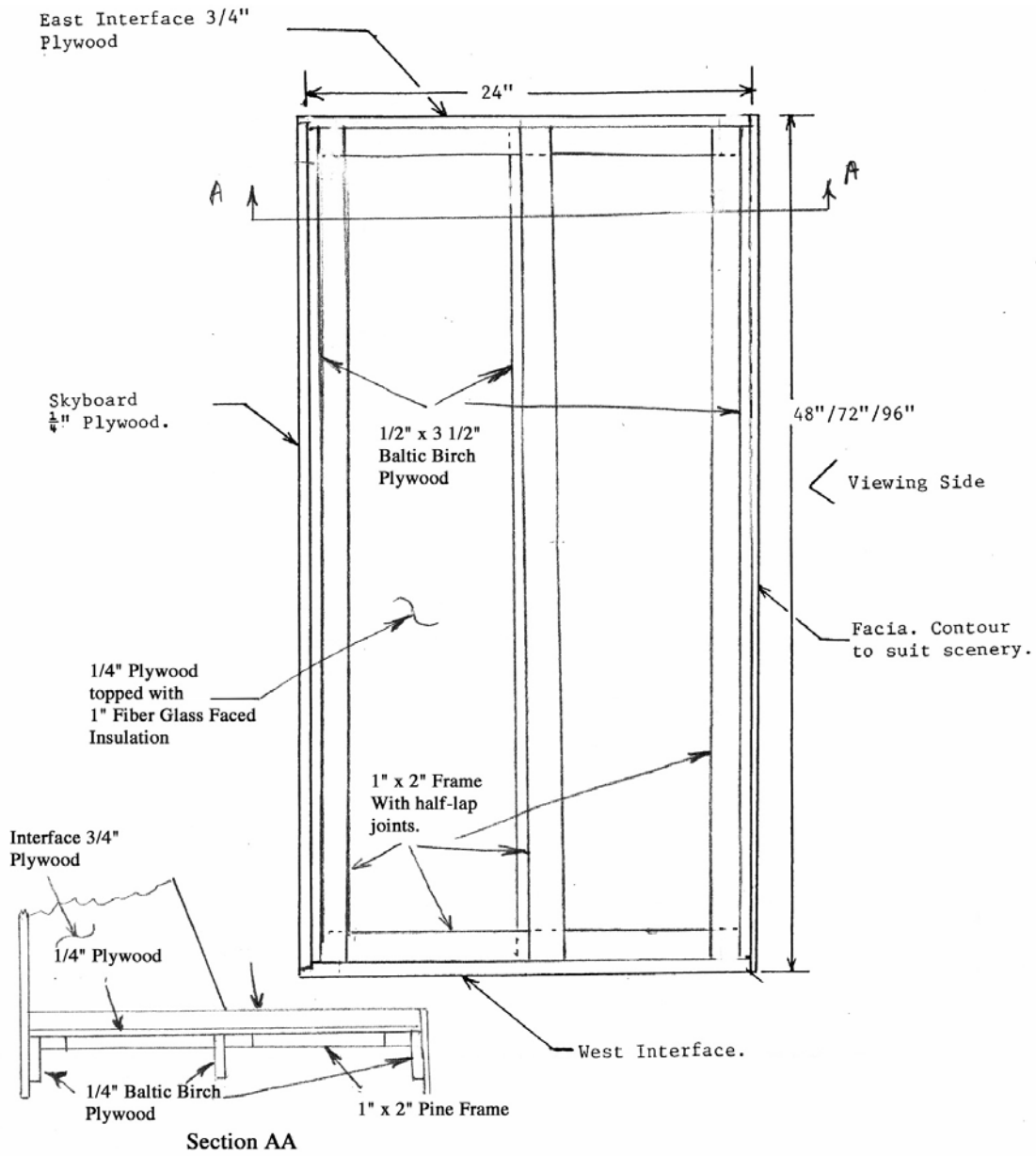
Leg DETAILS



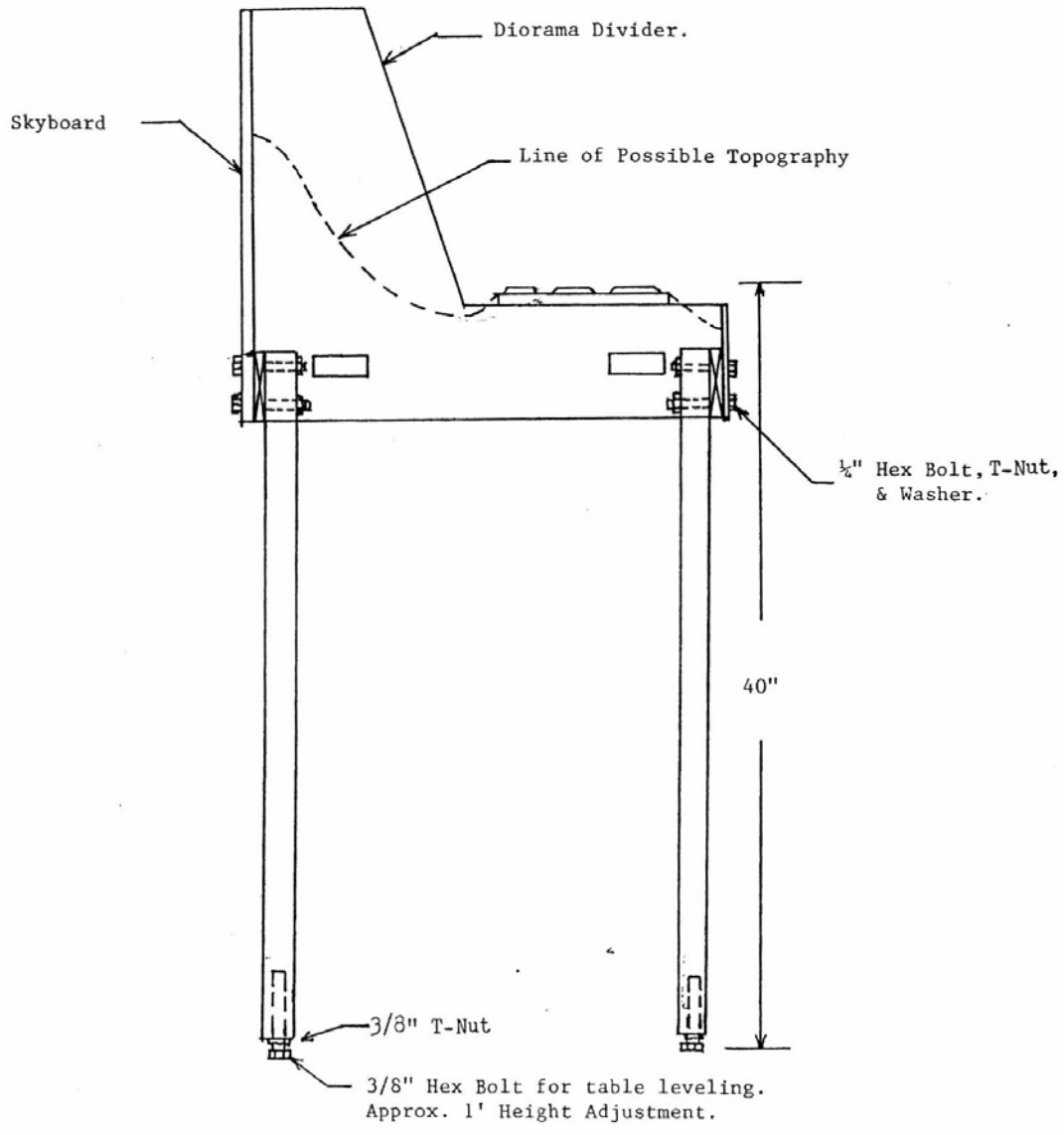
ISSUE DATE:
OCTOBER 2003

FRAMEWORK ALTERNATE STRAIGHT MODULE

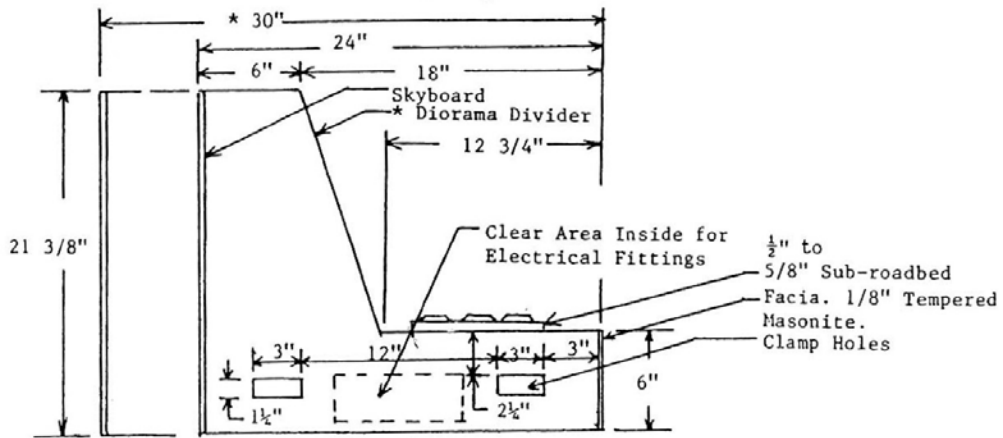
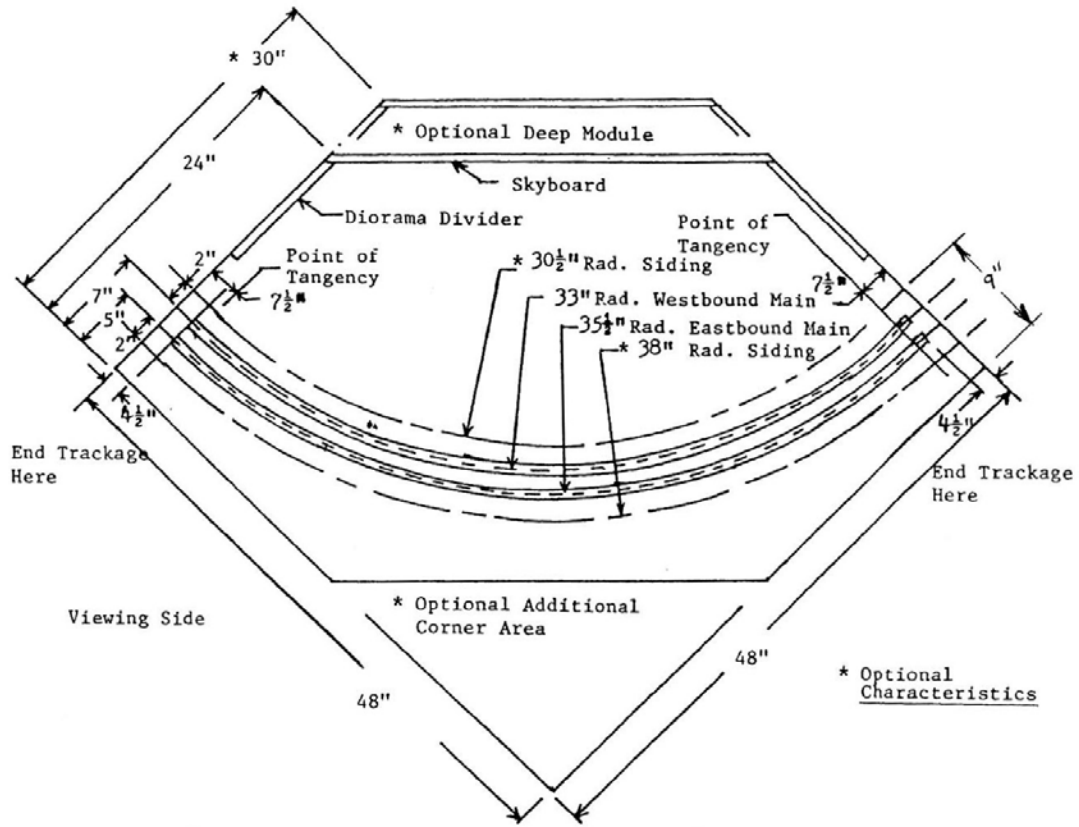
DATA SHEET
6



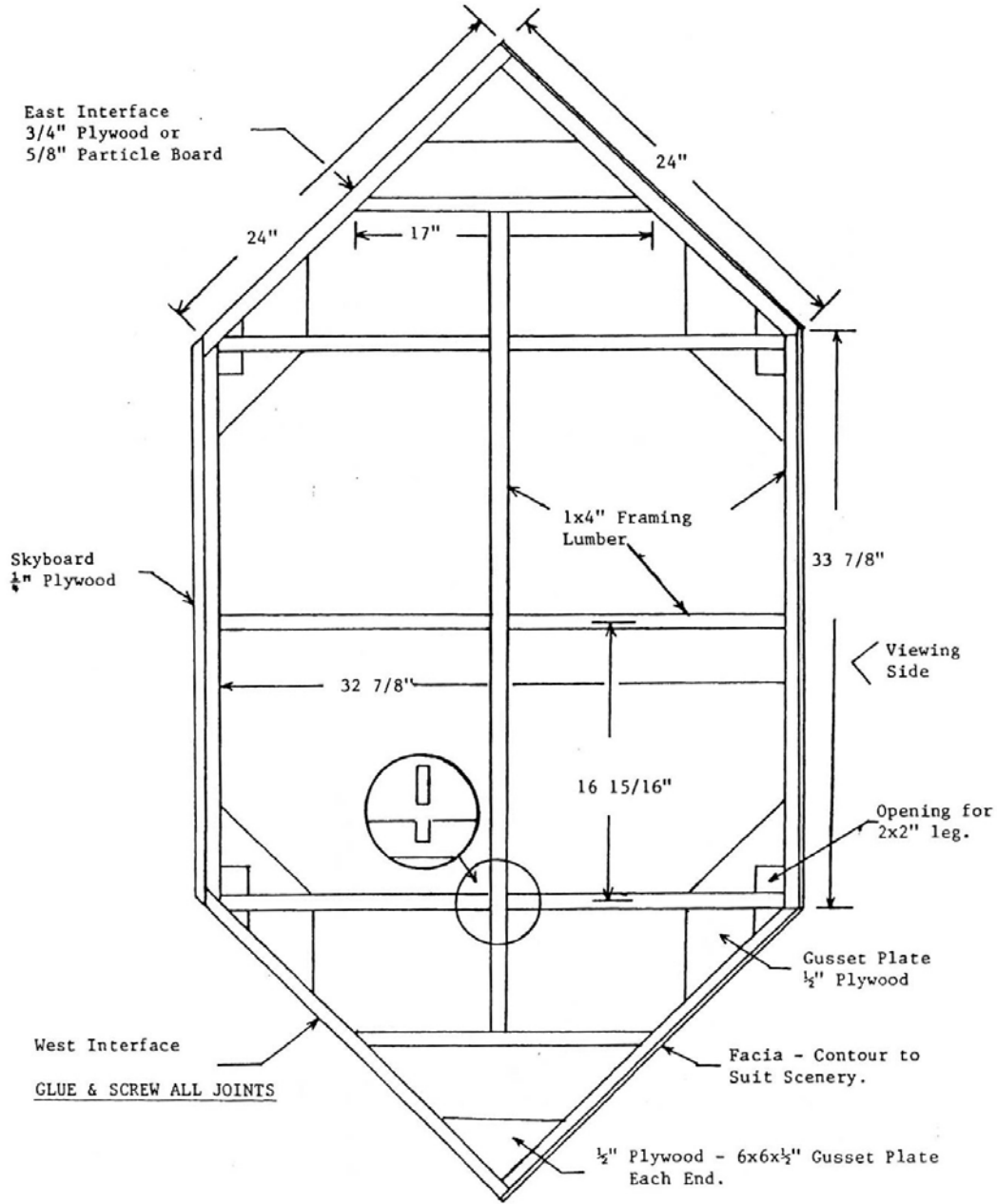
ISSUE DATE: OCTOBER 1990	INSIDE VIEW OF STRAIGHT MODULE EAST INTERFACE	DATA SHEET # 7
-----------------------------	--	-------------------



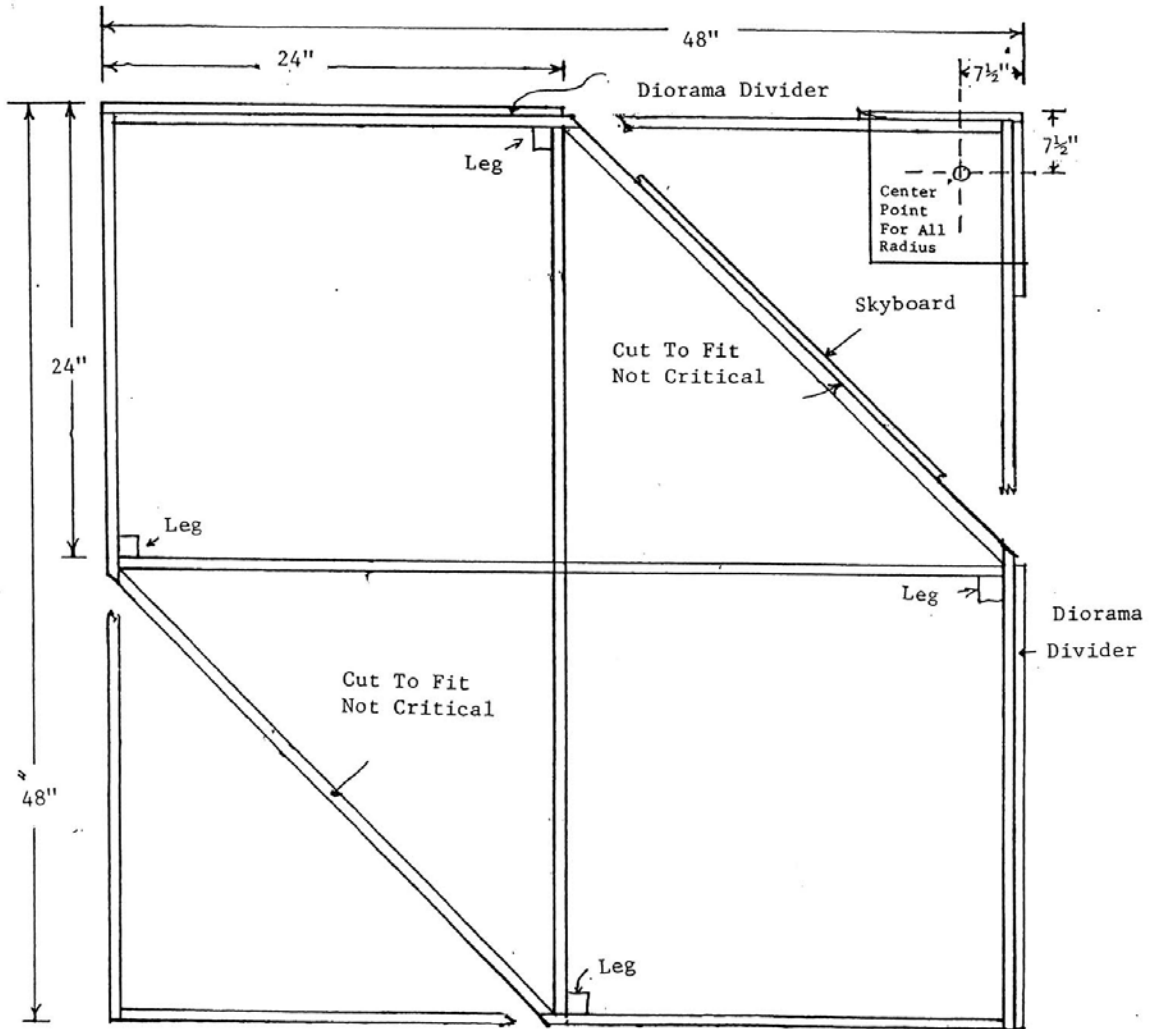
ISSUE DATE: SHEET OCTOBER 1990	DIMENSIONS - CORNER MODULE	DATA # 8
--------------------------------------	-----------------------------------	-------------



<p>ISSUE DATE: OCTOBER 1990</p>	<p>FRAMEWORK - CORNER MODULE</p>	<p>DATA SHEET # 9</p>
-------------------------------------	---	---------------------------



ISSUE DATE: OCTOBER 1990	ALTERNATE METHOD CORNER MODULE FRAMEWORK	DATA SHEET # 10
-----------------------------	---	--------------------

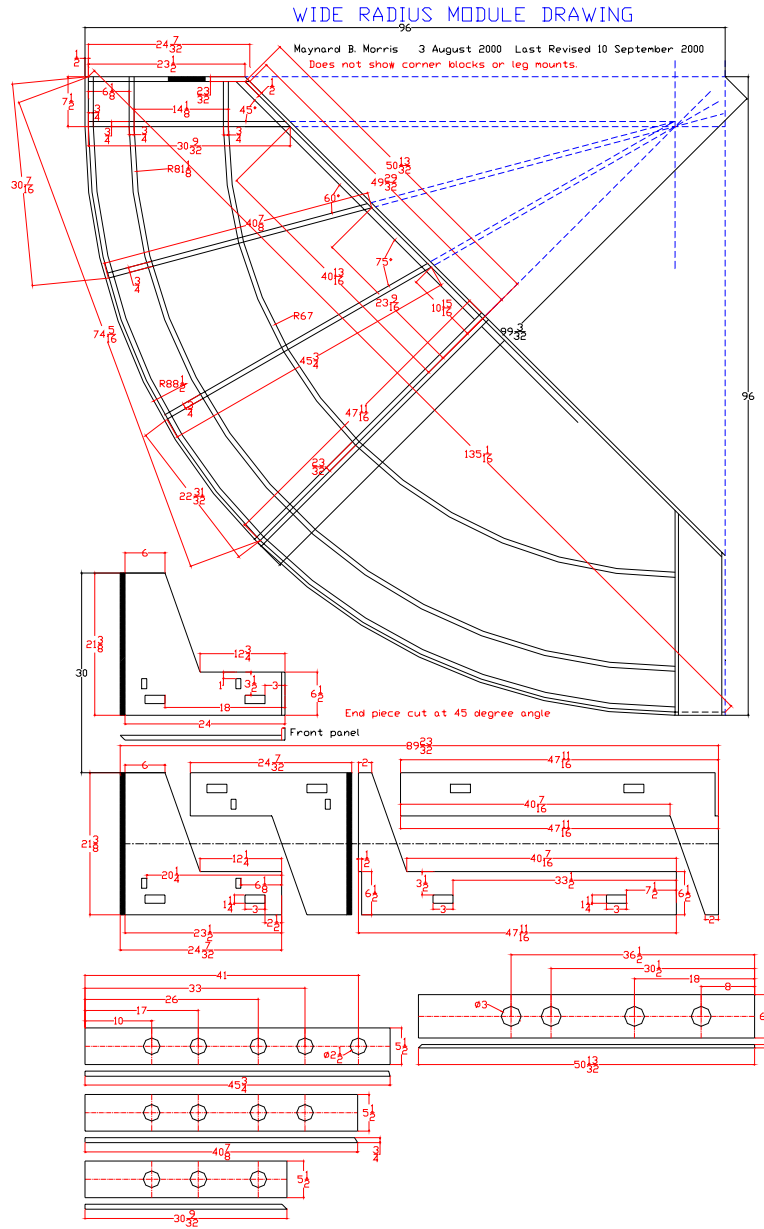


Use 1"x4" Pine/Fir Lumber For Framing.

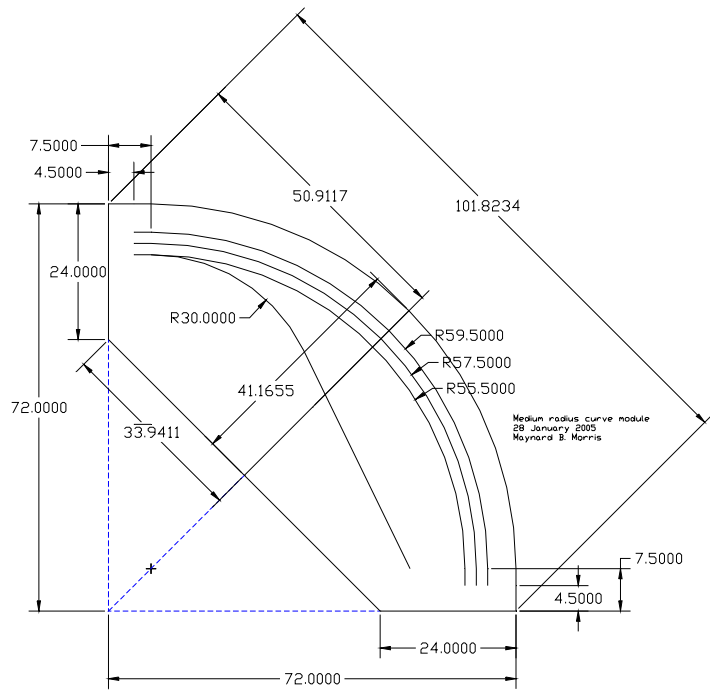
ISSUE DATE:
APRIL 1996

HOSTLER WIDE RADIUS CORNER
TWO MODULES REQUIRED

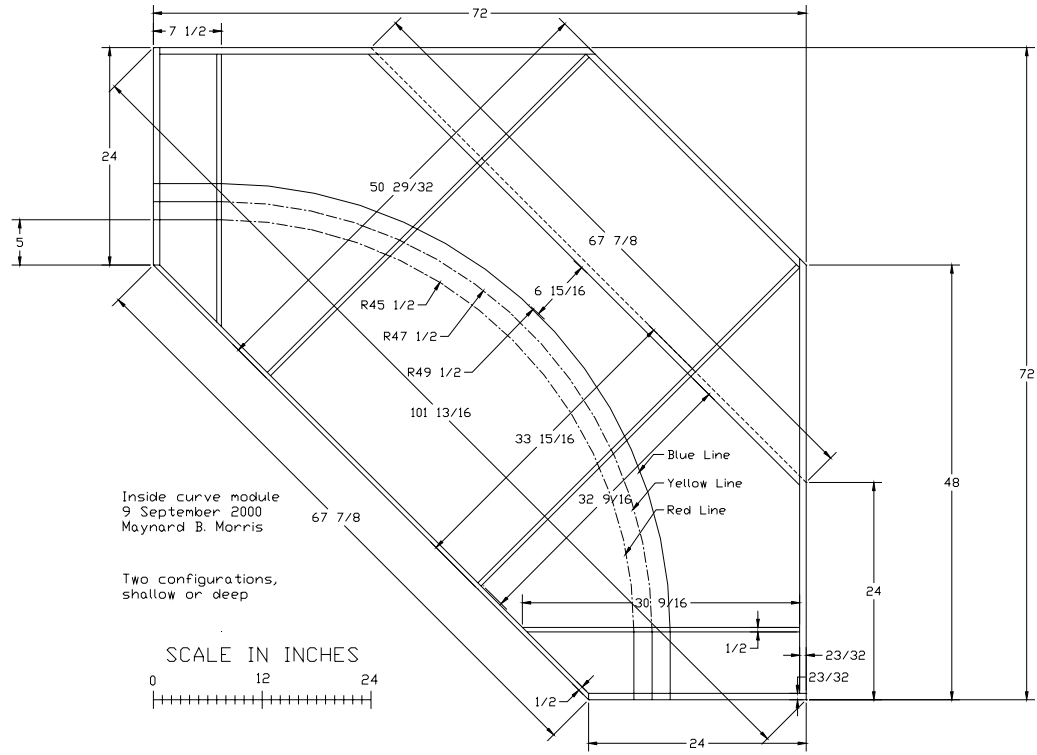
DATA SHEET
12



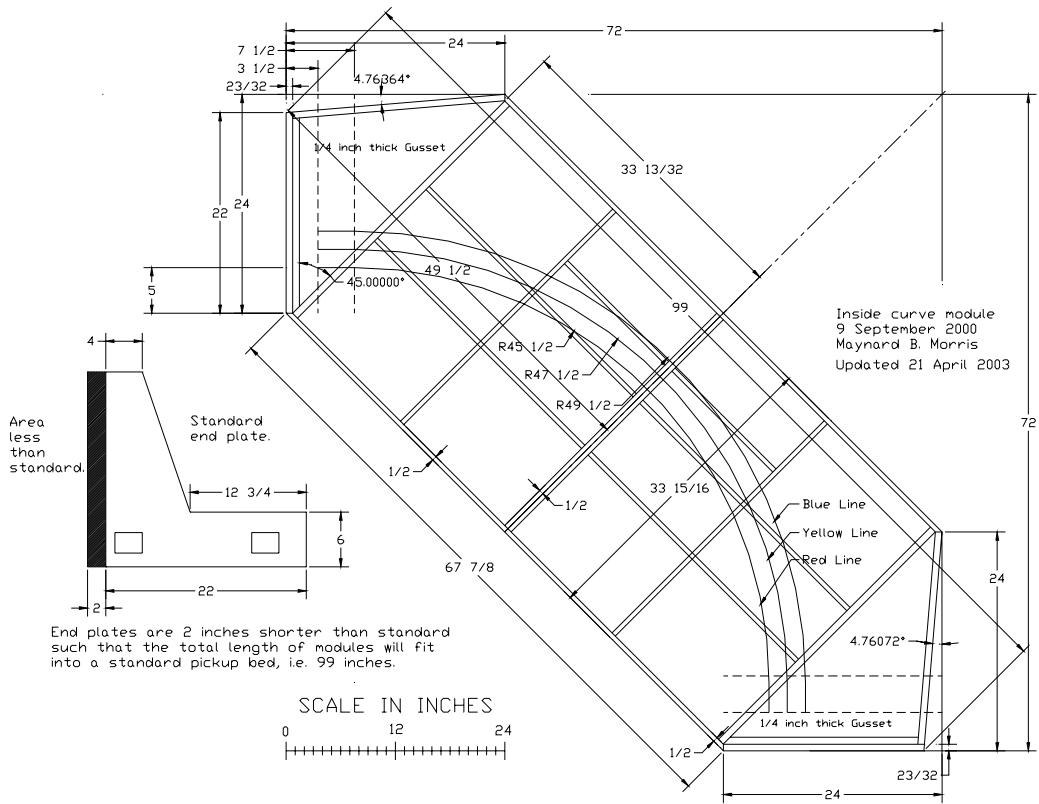
ISSUE DATE: APRIL 1996	MEDIUM RADIUS OUTSIDE CORNER ONE OR TWO MODULES REQUIRED	DATA SHEET # 13
---------------------------	---	--------------------

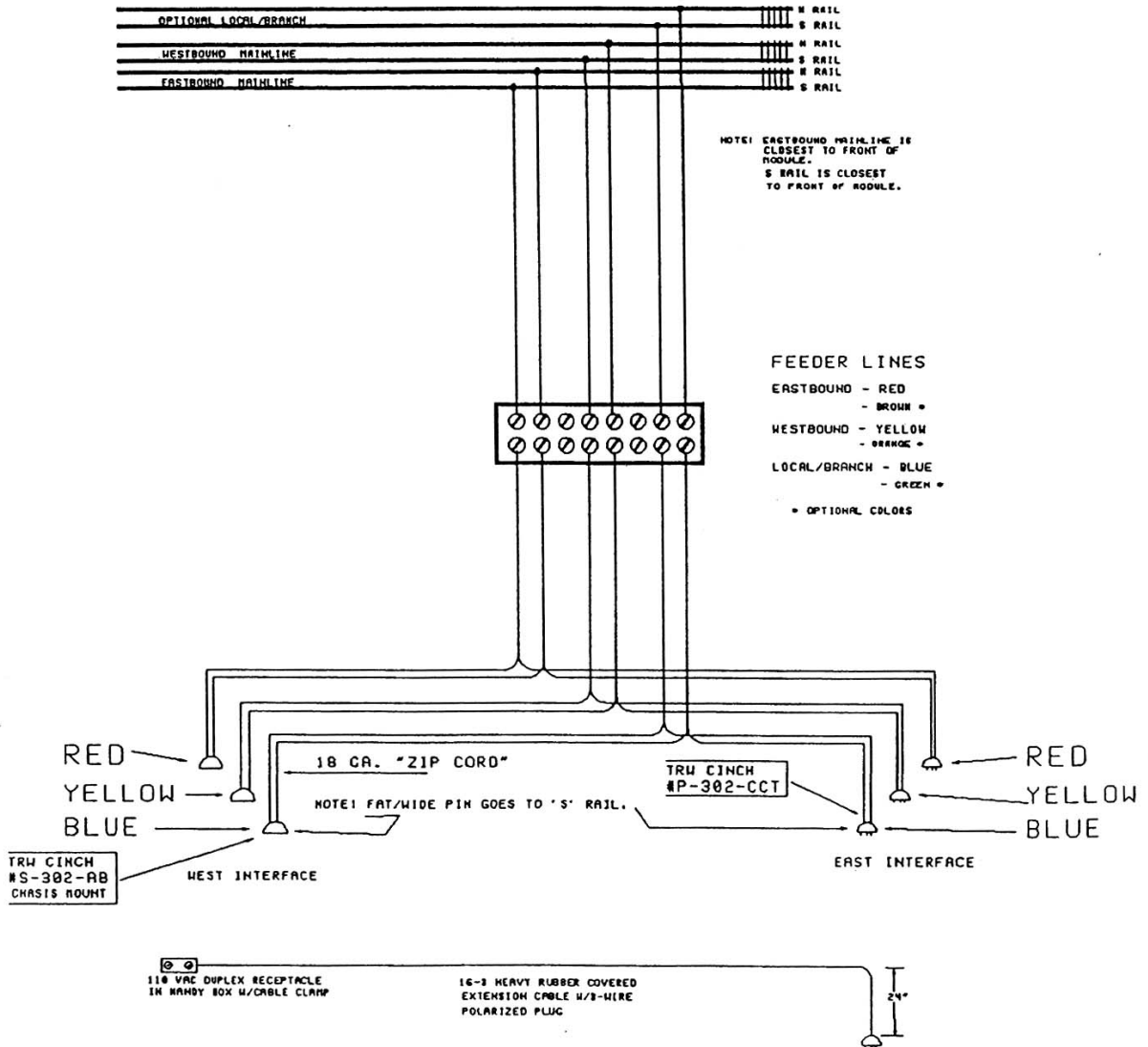


ISSUE DATE: SEPTEMBER 2000	MEDIUM RADIUS INSIDE CORNER ONE OR TWO MODULES REQUIRED	DATA SHEET # 14
-------------------------------	--	--------------------



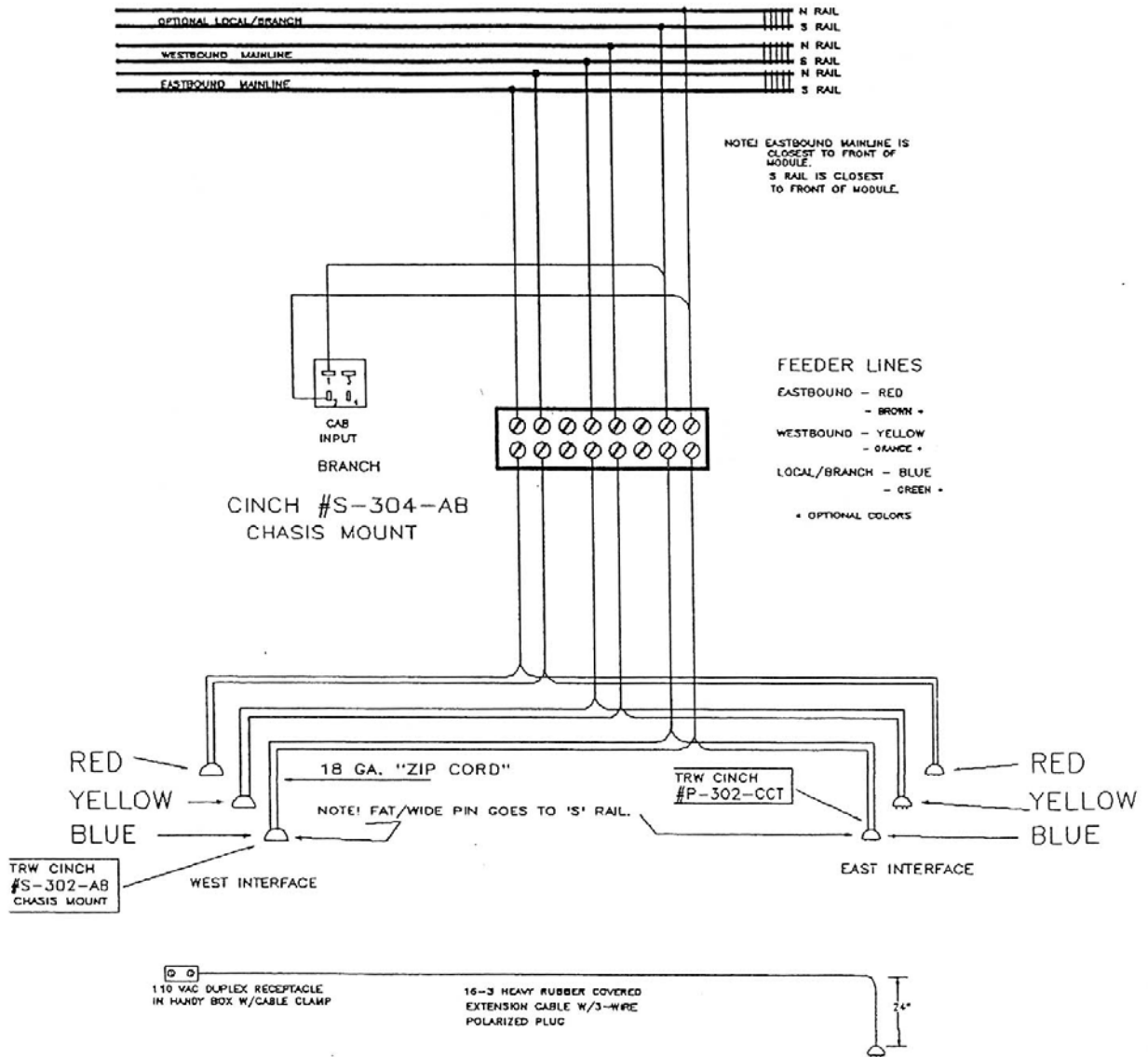
<p>ISSUE DATE: APRIL 2003</p>	<p>MEDIUM RADIUS INSIDE CORNER ONE OR TWO MODULES REQUIRED</p>	<p>DATA SHEET # 14</p>
-----------------------------------	--	----------------------------



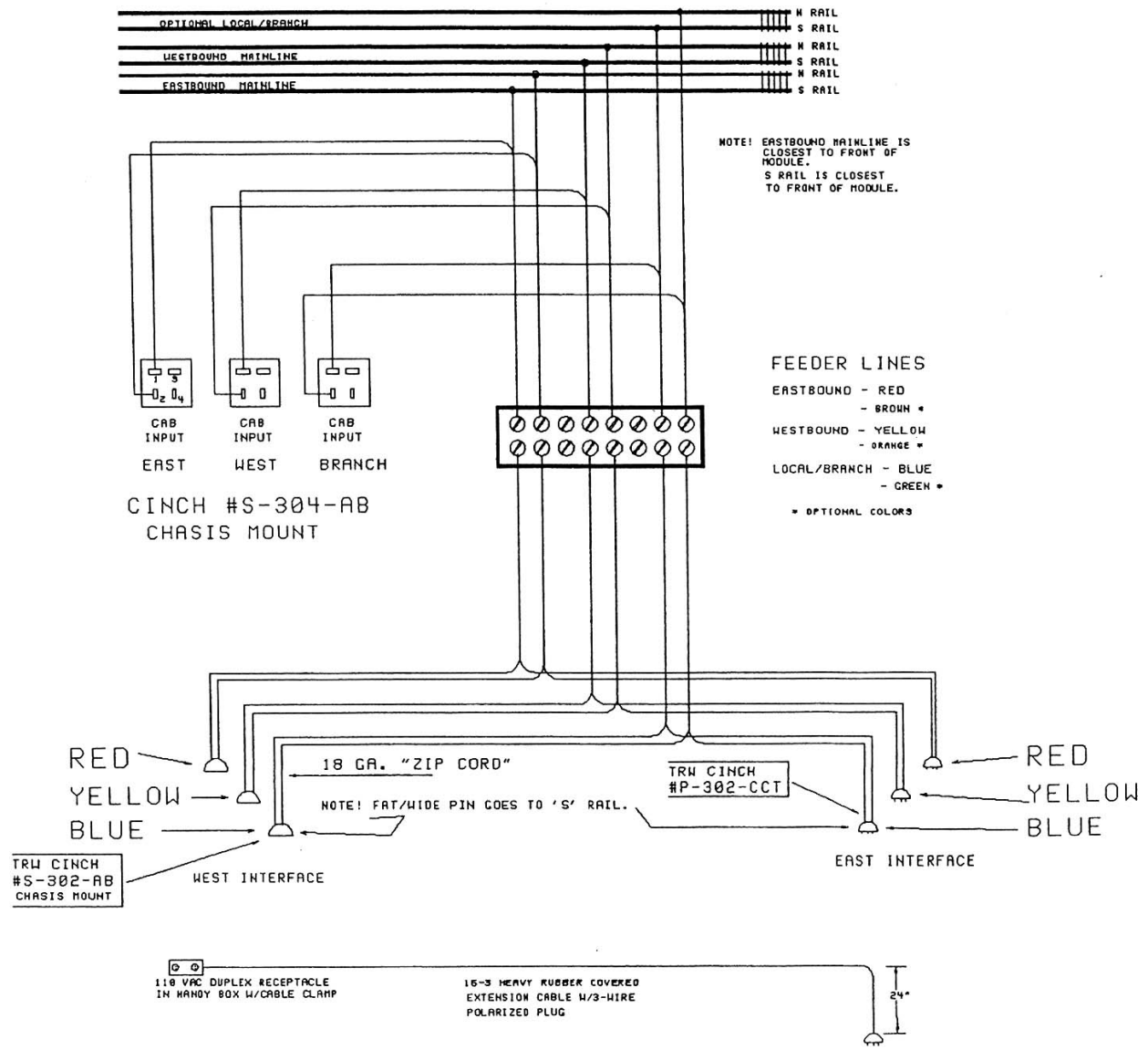


FILE: HO_STN0A.DC2 (SCHOLZ)
DATE: 11/21/90

ISSUE DATE: FEBRUARY 1994	ELECTRICAL SYSTEM FOR TYPE B LOCAL CONTROL MODULE	DATA SHEET # 16
------------------------------	--	--------------------

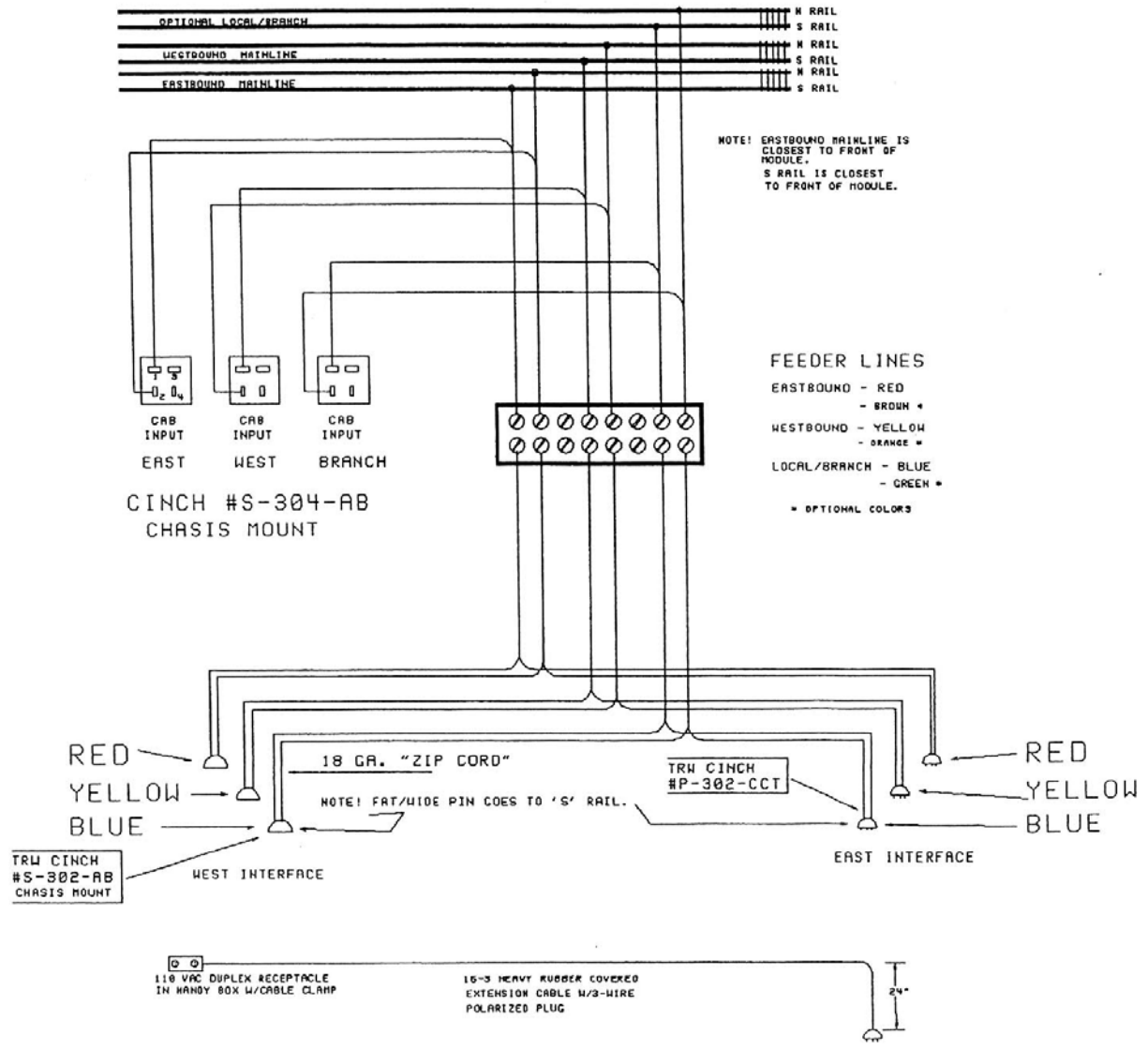


FILE: HO_STNDB.DC2 (SCHOLZ)
 DATE: 2/16/94



FILE: HO_STNOC.DC2 (SCHOLZ)
 DATE: 2/15/94

ISSUE DATE: SHEET APRIL 1996	OPTIONAL ELECTRICAL SYSTEM FOR TYPE C BLOCK CONTROL MODULE	DATA # 18
------------------------------------	---	------------------



FILE: HO_STN0C.DG2 (SCHOLZ)
DATE: 2/15/94

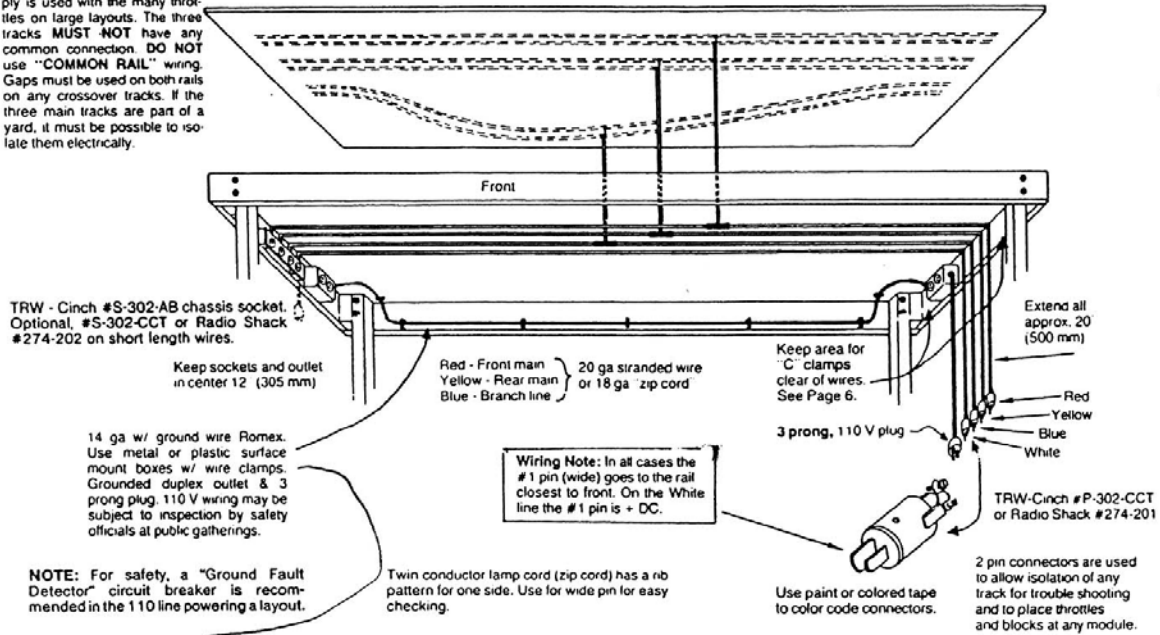
ISSUE DATE:
OCTOBER 1990

WIRING SCHEMATIC FOR A TYPICAL MODULE

DATA SHEET
19

NOTE: A single large power supply is used with the many throttles on large layouts. The three tracks **MUST NOT** have any common connection. **DO NOT** use "COMMON RAIL" wiring. Gaps must be used on both rails on any crossover tracks. If the three main tracks are part of a yard, it must be possible to isolate them electrically.

Use #22 to #24 ga solid wire soldered to outside of rails for connection to track power leads. Solder terminal strips make an easy to trouble shoot connection point. Use as many power feeds per track as needed.



ELECTRICAL

Alternate: use 6 or 8 outlet electrical strip. Make sure electrical cord is 14 gauge with ground



ISSUE DATE:	NMRA RECOMMENDED STANDARDS - CAR WEIGHTING	DATA SHEET
DECEMBER 1991		# 16

NMRA Recommended Practices RP 20.1 Car Weight

File:NMRAWGHT.XLS (Scholz)

Today: 13-Feb-94

SCALE	INITIAL (Ounces)	ADD/INCH (Ounces)	Car length in inches											
			1	2	3	4	5	6	7	8	9	10	11	12
O	5.00	1.000	6.000	7.000	8.000	9.000	10.000	11.000	12.000	13.000	14.000	15.000	16.000	17.000
On3	1.50	0.750	2.250	3.000	3.750	4.500	5.250	6.000	6.750	7.500	8.250	9.000	9.750	10.500
S	2.00	0.500	2.500	3.000	3.500	4.000	4.500	5.000	5.500	6.000	6.500	7.000	7.500	8.000
Sn3	1.00	0.500	1.500	2.000	2.500	3.000	3.500	4.000	4.500	5.000	5.500	6.000	6.500	7.000
HO	1.00	0.500	1.500	2.000	2.500	3.000	3.500	4.000	4.500	5.000	5.500	6.000	6.500	7.000
HOn3	0.75	0.375	1.125	1.500	1.875	2.250	2.625	3.000	3.375	3.750	4.125	4.500	4.875	5.250
TT	0.75	0.375	1.125	1.500	1.875	2.250	2.625	3.000	3.375	3.750	4.125	4.500	4.875	5.250
N	0.50	0.150	0.650	0.800	0.950	1.100	1.250	1.400	1.550	1.700	1.850	2.000	2.150	2.300

Note from Scholz!**Total car weight (car weight plus added weight)**

ISSUE DATE: NOVEMBER 2004	INSIDE YARD SEVERAL MODULES REQUIRED	DATA SHEET # 17
------------------------------	---	--------------------

